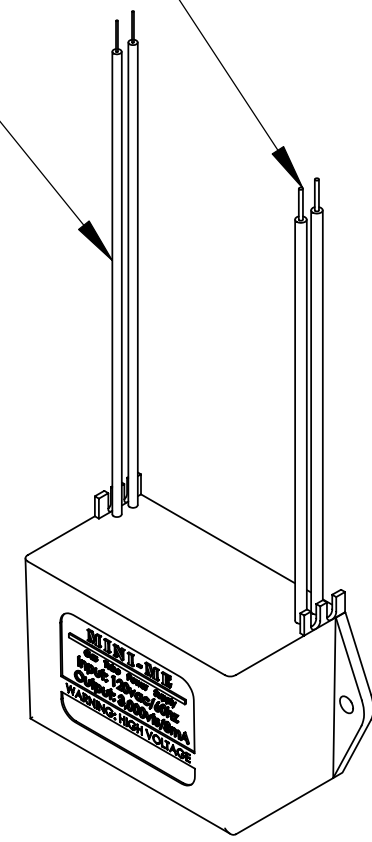


UL-1015
105° AWG#22

HIGH VOLTAGES OUTPUT
UL-3239
105° AWG#20



Create By:	Dennis Lee
Date:	

H-48-120v60hz3kv8ma DWG
Tat Sing Electronics Co., Ltd